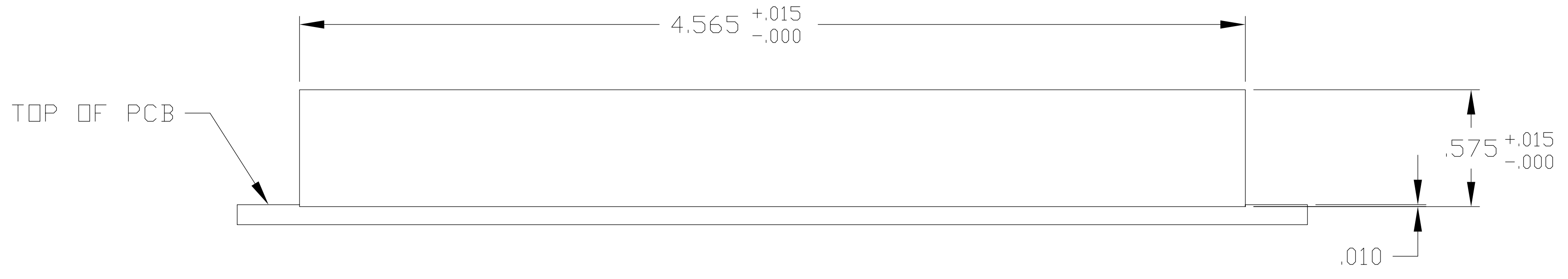
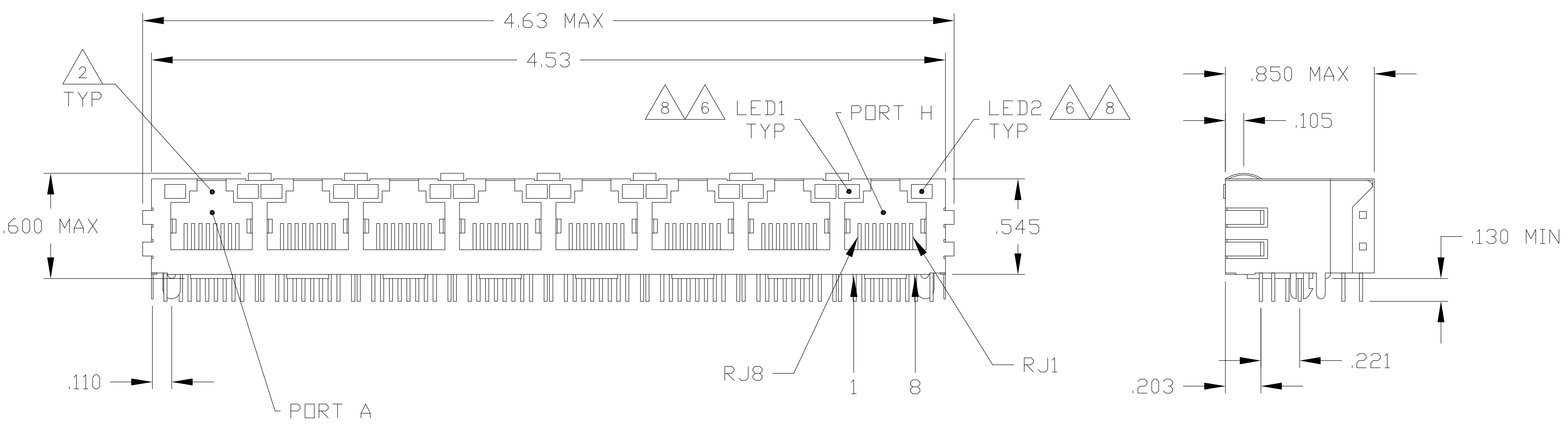
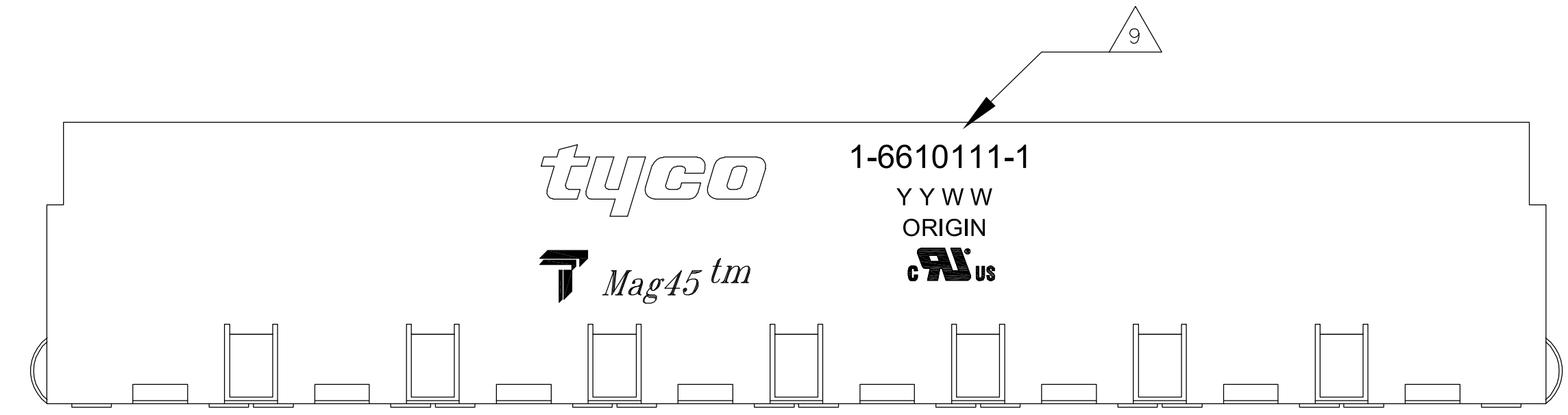


LOC		DIST		REVISIONS			
F	LTR	DESCRIPTION	DATE	DRN	APVD		
A	REV PER EC	OS13-0650-04	16MAR2005	AF	DF		

MECHANICAL:



1X8 SUGGESTED PANEL CUTOUT

- 1 MATERIALS:
 -HOUSING - THERMOPLASTIC PET POLYESTER FLAMMABILITY RATING UL 94V-0.
 -SHIELD - .010" THICK, C26800 BRASS PREPLATED WITH 30μINCH MIN SEMI-BRIGHT NICKEL. SOLDER TABS POST DIPPED WITH 100μINCH MIN SAC SOLDER.
 -MOD JACK CONTACTS - 0.0157 X 0.018" PHOSPHOR BRONZE, 50μINCH MIN OVERALL NICKEL UNDERPLATE WITH SELECT 50μINCH MIN HARD GOLD FINISH PLATE.
 SOLDER TAILS WITH 100μINCH MIN MATTE TIN AND/OR SAC SOLDER DIP.
 -LIGHT EMITTING DIODE(LED) - DIFFUSED EPOXY LENS, .020" X .020" CARBON STEEL WIREFRAME LEADS PRE-PLATED WITH 80μINCH SILVER OVER 40μINCH NICKEL UNDERPLATE OVER 40μINCH COPPER UNDERPLATE. POST-PLATED WITH 100μIN MIN MATTE TIN AND/OR SAC SOLDER DIP OR PURE TIN SOLDER DIP.
- 2 RJ45 JACK CAVITY CONFORMS TO FCC RULES AND REGULATIONS PART 68, SUB PART F.
- 3 MAGNETICS
 -IMPEDANCE: 100 OHMS
 -TURNS RATIO (CHIP:CABLE): TX = 1:1, RX = 1:1
 -OPEN CIRCUIT INDUCTANCE (OCL): 350μH MIN @100kHz, 0.1VRMS, 8mADC BIAS FROM 0°C TO 70°C, TX AND RX
 -PERFORMANCE @ 25°C:
 INSERTION LOSS (IL): 1.1dB MAX FROM 0.5MHZ TO 100MHZ
 RETURN LOSS (RL): 18dB MIN FROM 0.5MHZ TO 30MHZ
 18-20LOG(f/30)dB MIN FROM 30.1MHZ TO 60MHZ
 12dB MIN FROM 60.1MHZ TO 80MHZ
 CROSSTALK ATTENUATION: 35dB MIN FROM 0.5MHZ TO 40MHZ
 33-20*LOG(f/50)dB MIN FROM 40.1MHZ TO 100MHZ
 COMMON MODE REJECTION RATIO (CMRR): 30dB MIN FROM 0.5MHZ TO 100MHZ
 -ISOLATION VOLTAGE: COMPLIES WITH IEEE802.3 2002, PARA 23.5.1.1, ITEM a or b.
4. OPERATING TEMPERATURE: FROM 0°C TO +70°C.
- 5 R1-R4 = 75 OHMS, 1/16 W, 5% RESISTORS.
- 6 LED COMPLIANT WITH IEC60825-1 SAFETY OF LASER PRODUCTS. WHEN OPERATED UP TO 20 mA. THE 250 OHM RESISTOR IS INCLUDED.
- 7 INDICATED CONNECTIONS ARE FOR HUB CONFIGURATION. THE MAGNETICS ARE SYMMETRICAL AND SUPPORT AUTO-MDI/MDIX.
- 8 LED PEAK WAVELENGTH: GREEN(λ) = 565nm.
- 9 TRADEMARK, PART NUMBER, DATE CODE, COUNTRY OF ORIGIN AND AGENCY APPROVAL MARKING IN APPROXIMATE LOCATION SHOWN.

GREEN	GREEN	1-6610111-1
LED1	LED2	PART NUMBER

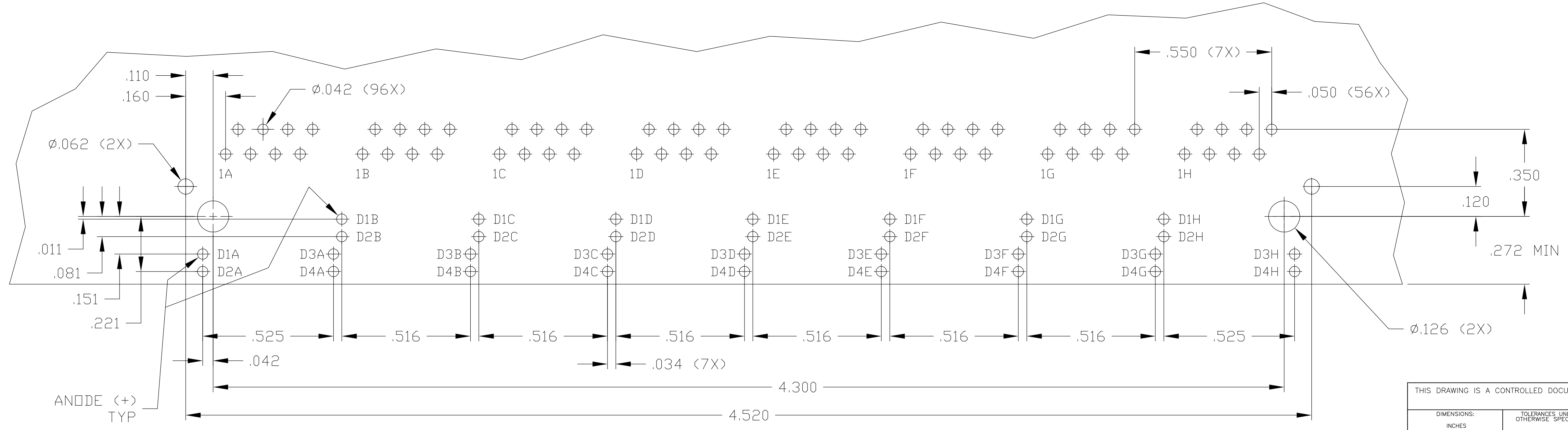
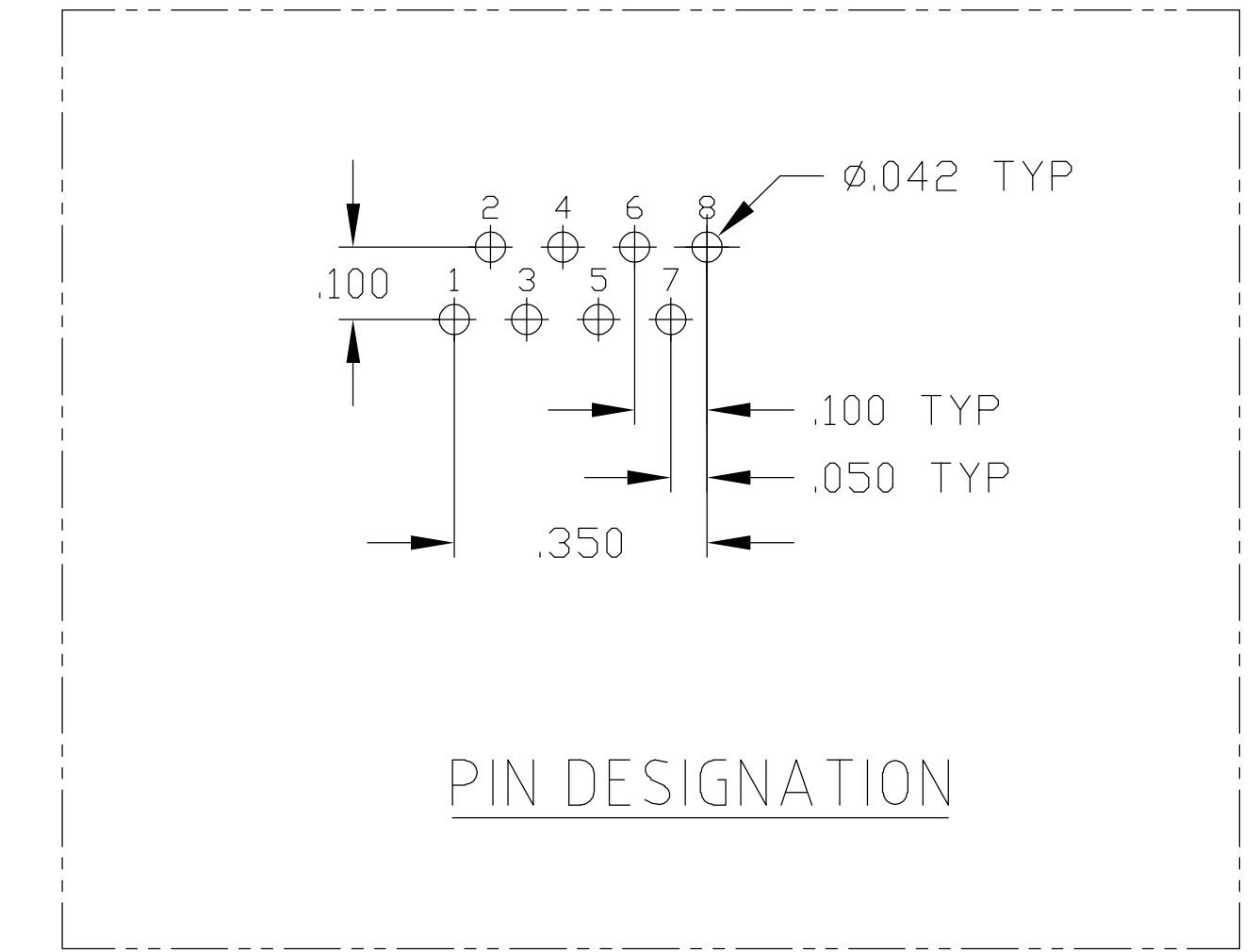
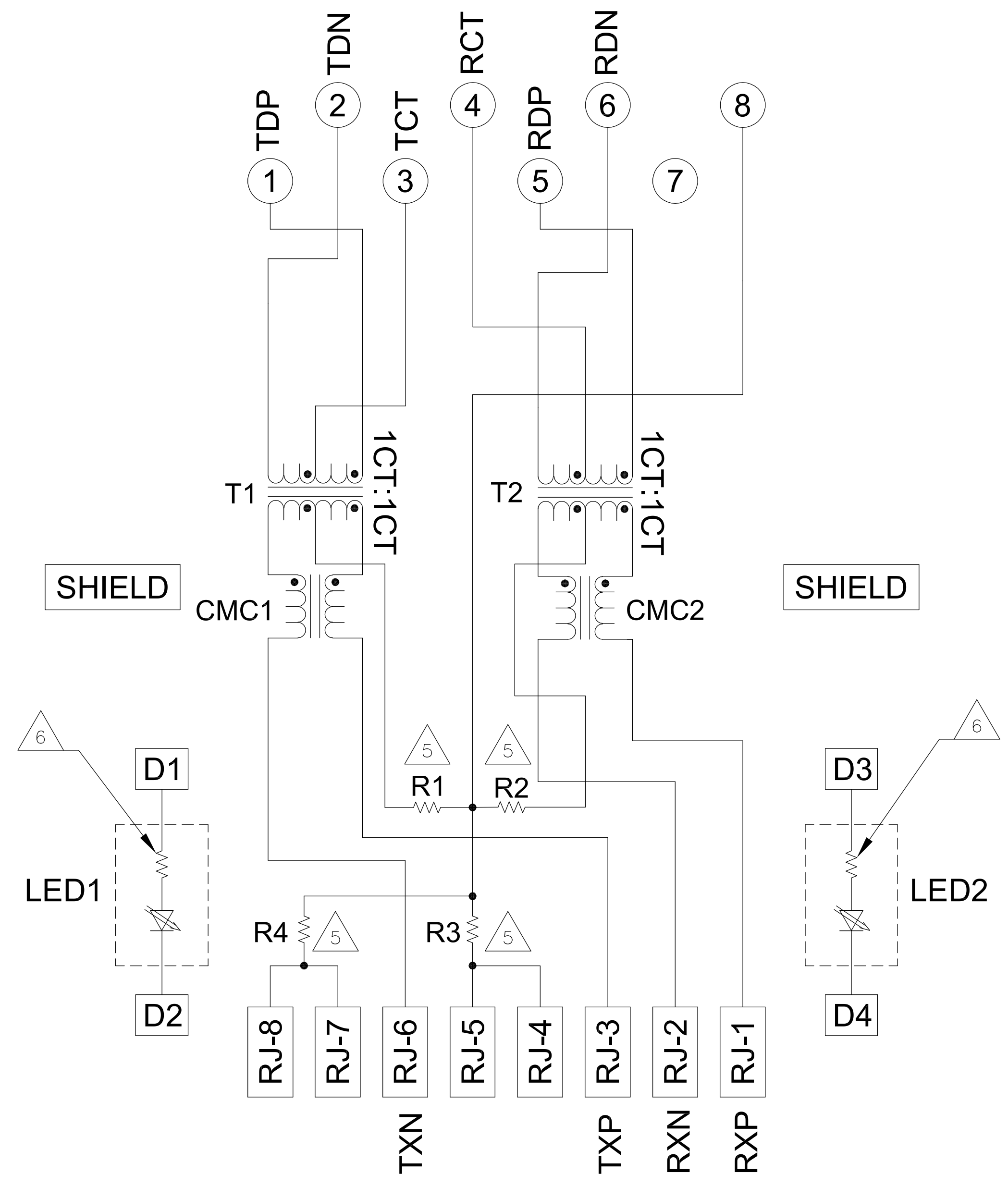
THIS DRAWING IS A CONTROLLED DOCUMENT.

DW	A. FERNANDEZ	16MAR2005	Tyco Electronics Corporation Harrisburg, PA 17105-3608
CHK	D. FAROLE	16MAR2005	
APRD	D. FAROLE	16MAR2005	NAME
DIMENSIONS: INCHES TOLERANCES UNLESS OTHERWISE SPECIFIED: 0 PLC ± - 1 PLC ± - 2 PLC ± .010 3 PLC ± .005 4 PLC ± - ANGLES ± - FINISH ± -			PRODUCT SPEC 108-2100 APPLICATION SPEC
MATERIAL FINISH			SIZE CAGE CODE DRAWING NO A1 00779 6610111
CUSTOMER DRAWING			RESTRICTED TO


SCALE 4:1 SHEET 1 OF 2 REV A

ELECTRICAL:

766 SERIES MAGNETIC CIRCUIT 



SUGGESTED PCB LAYOUT
(Component Side)

THIS DRAWING IS A CONTROLLED DOCUMENT.		DWN A. FERNANDEZ-DOCKES	16MAR2005	 Tyco Electronics Corporation Harrisburg, PA 17105-3608
DIMENSIONS: INCHES		CHK D. FAROLE	16MAR2005	
TOLERANCES UNLESS OTHERWISE SPECIFIED:		NAME D. FAROLE	16MAR2005	PRODUCT SPEC 108-2100 APPLICATION SPEC
0. PLC ± - 1. PLC ± - 2. PLC ± .010 3. PLC ± .005 4. PLC ± - ANGLES ± -		SIZE A1	CAGE CODE 00779	DRAWING NO 6610111
MATERIAL		RESTRICTED TO	SCALE 4:1	SHEET 2 OF 2
CUSTOMER DRAWING		REV A		